

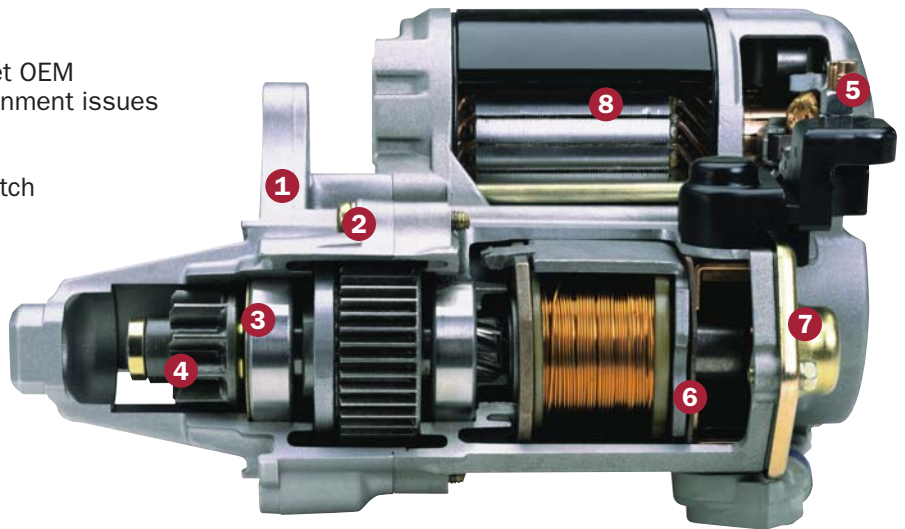
STARTERS AND ALTERNATORS THAT MEET SUPERIOR DURABILITY STANDARDS

Carquest® starters and alternators are premium constructed, OE quality parts with industry-leading warranties.

With a high level of proven performance and fewer comebacks, these parts meet or exceed OE specifications.

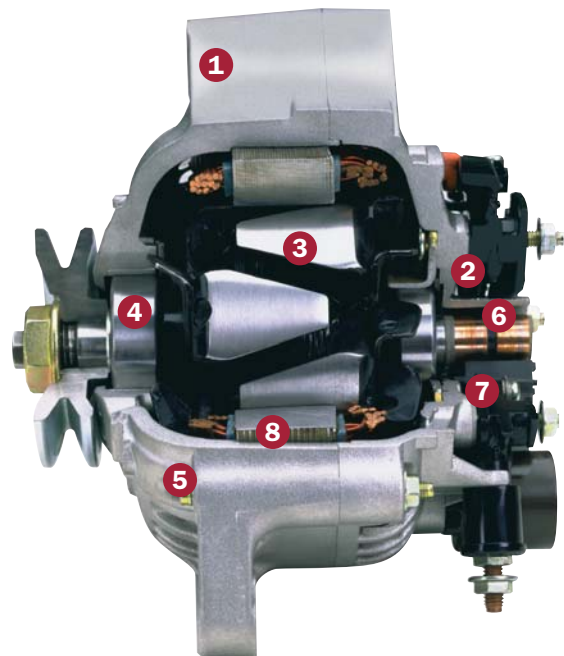
Starter

- 1 Starter housing is damage checked to meet OEM specifications for warping, corrosion or alignment issues
- 2 100% new hardware is used on assembly
- 3 100% new drive pinion and overrunning clutch
- 4 New drive gear
- 5 New motor feed terminal to ensure connection
- 6 Solenoid contacts are 100% new copper terminals and plated hardware
- 7 Bushings are 100% new, brushes have been sintered and oil filled
- 8 Commutators are precision polished with machined armature



Alternator

- 1 Alternator housing is damage checked to meet OEM specifications for warping, corrosion or alignment issues
- 2 Brushes are 100% new and lead-free
- 3 100% machined rotor assembly
- 4 100% new pulley bearings
- 5 New hardware to ensure proper function
- 6 Slip rings are precision polished for concentricity and run-put
- 7 Rectifiers are 100% electronically tested, with high capacity diodes and improved heat-sinks
- 8 100% machined stator



For more information, contact your local Advance Professional delivery store.
For customer care assistance and technical support, call 1-877-280-5965.
Order online at www.AdvancePro.com

**Advance
Professional** 

PREMIUM QUALITY NEW AND REMANUFACTURED PARTS



CARQUEST® ALTERNATORS

Premium New Alternators

- All components and housings are 100% new
- Mounting surfaces are 100% new with dimensions computer gauged and measured
- Internal electronics are upgraded for heavy duty reliability
- End of line testing — 100% computer loaded and tested
- Limited Lifetime Warranty



Superior Remanufactured Alternators

- Brushes are 100% lead free, OE quality and ISA tested
- Bearings have double-sided seals and high temp lubrication
- Slip rings are precision polished for concentricity and run-out
- Rectifiers are 100% electronically tested, with high capacity diodes and improved heat-sinks
- Limited Lifetime Warranty



CARQUEST® STARTERS

Premium New Starters

- 100% new units from the inside out
- High quality components for trusted starting power
- Designed to meet or exceed OE specs for proper fit, form and function
- Internal components are engineered to enhance performance
- Limited Lifetime Warranty

Superior Remanufactured Starters

- Brushes are 100% lead free and durability tested
- Bushings are 100% new, copper sintered and oil filled
- Solenoid contacts are 100% new, with copper terminals and plated hardware
- Commutators are precision polished with machined armature
- Limited Lifetime Warranty



For more information, contact your local Advance Professional delivery store.
For customer care assistance and technical support, call 1-877-280-5965.
Order online at www.AdvancePro.com

Advance
Professional 